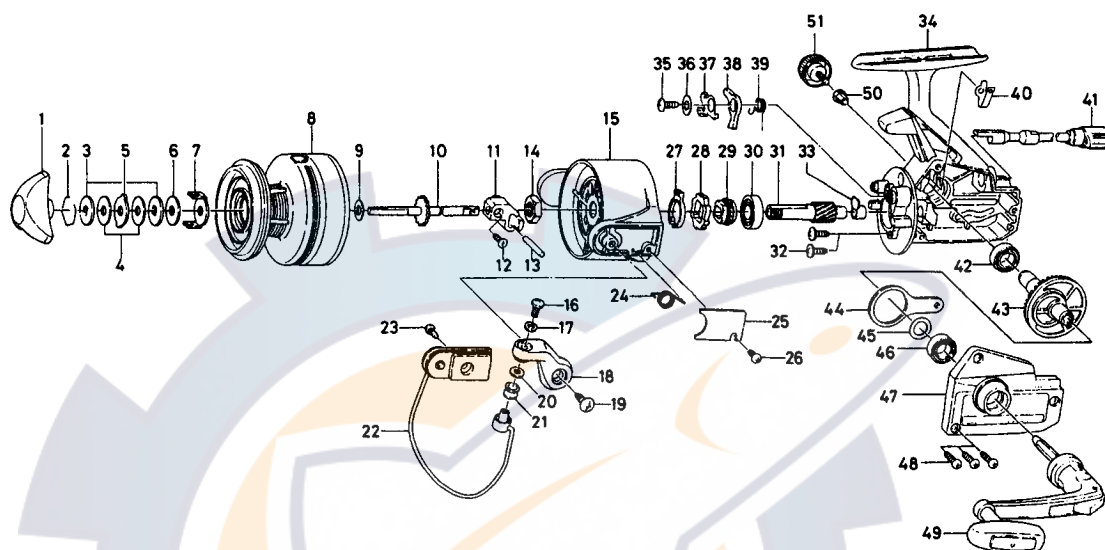


SPINNING REEL W4000



Key No. 2~8

6-E10-1701

Spool assembly

Key No.	Parts No.	Parts Name
1	E10-1501	Drag knob
2	170-4001	Drag washer retainer
3	373-2502	Key washer
4	374-2901	Drag washer A
5	375-5301	Eared washer
6	370-6901	Drag washer B
7	B47-0201	Drag washer holder
8	E10-1801	Spool
9	374-9002	Spool washer
10	E00-8001	Main shaft assembly
11	E00-8201	Oscillating support
12	351-8901	Oscillating support screw
13	E00-8301	Oscillating support pin
14	B10-5701	Rotor nut
15	E00-7405	Rotor assembly
16	353-9702	Line roller screw
17	160-8101	Lock washer
18	E00-7501	Bail arm
19	E00-7602	Bail arm screw
20	373-4501	Line roller washer
21	E02-1801	Line roller
22	E10-1101	Bail
23	B01-5802	Bail trip cam screw
24	144-2201	Bail spring
25	B66-5905	Bail spring cover

Key No.

Parts No.

Parts Name

26	B83-4401	Bail spring cover screw
27	E00-7901	Spring holder
28	280-9501	Anti-reverse ratchet
29	B04-9104	Click gear
30	635-5001	Ball bearing
31	E00-6801	Pinion gear
32	E00-7101	Bearing retainer screw
33	B88-0001	Pinion holder
34	E10-0901	Body
35	E00-7301	Anti-reverse pawl screw
36	371-0604	Anti-reverse pawl washer
37	E00-7001	Anti-reverse pawl plate
38	E00-7203	Anti-reverse pawl
39	E04-8301	Anti-reverse pawl spring
40	E01-1801	Stopper leaf spring
41	E00-6602	Anti-reverse lever
42	636-6011	Ball bearing
43	E00-8401	Drive gear
44	E00-8501	Oscillating slider
45	371-2800	Drive gear washer
46	636-6011	Ball bearing
47	E10-1401	Side cover
48	B83-5001	Side cover screw
49	E09-9001	Handle assembly
50	501-8401	Handle collar
51	E02-1204	Handle lock screw